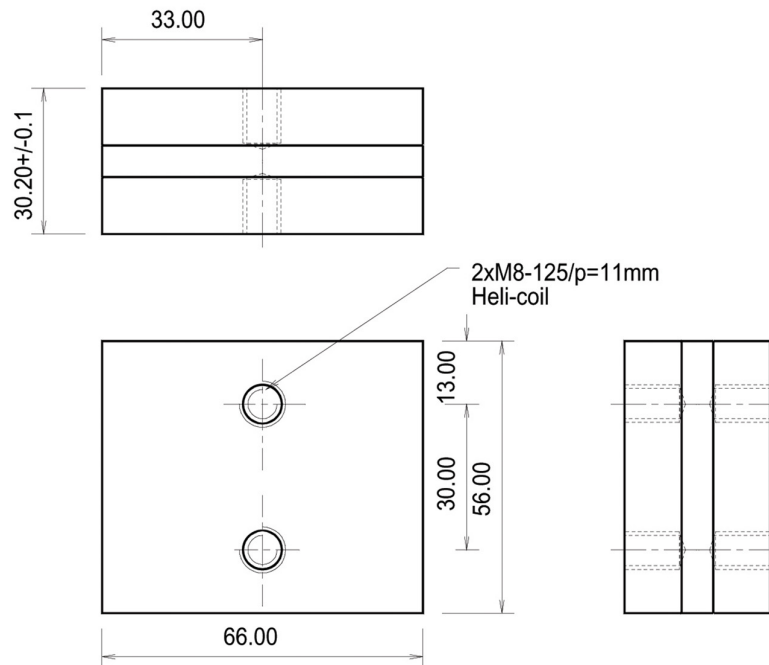


CSP 405 A

Conduction-cooled capacitor

Technology Patented Worldwide



The CSP 405A offers superior electrical characteristics in the same physical dimensions as the CSP305A.

Specifications

TYPE		CSP 405 A				
Dimensions (L x W x H)	mm	66 x 56 x 30.2				
Weight	kg	0.6				
Capacitance ($\pm 10\%$)	μF	0.33	0.66	1.33	2.6	5
Sinusoidal Voltage	V_{rms}	1000	900	700	500	
Peak Voltage	\hat{V}	1410	1270	990	710	
Max. Current	A_{rms}	600	850	950	1000	
Max. Power	kVA_r	400				
Freq Range @ Full Power	kHz	193-434	96-217	59-216	50-138	51-80
Stray Inductance	nH	< 5				
Freq Limit	kHz	1000				

CSP 405 A

Conduction-cooled capacitor

Technology Patented Worldwide

