

## ▲FEATURES

Widely used in resonant circuit for induction heating  
 Polypropylene and double side metallized polyester construction  
 Lower ESR and ESL  
 Self-healing property  
 Long life time, small inherent temperature rise  
 Tinned copper nut. fill with UI94V-0 resin  
 Non-inductive type.  
 Withstand heavy heavy current and high frequency

## ▲APPLICATIONS

Induction heating machine

## ▲SPECIFICATIONS

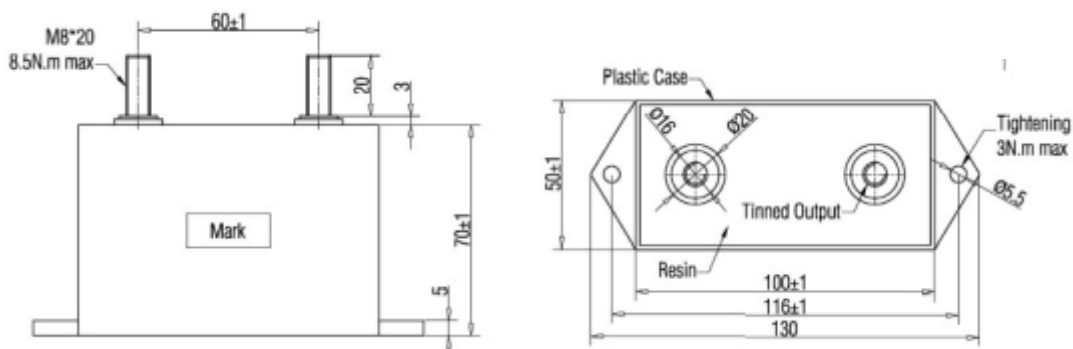
Reference standards IEC 61071 60068 60384  
 Operating temperature range:  $-40^{\circ}\text{C} \sim -85^{\circ}\text{C}$   
 Storage temperatue range:  $-40^{\circ}\text{C} \sim -85^{\circ}\text{C}$   
 Capacitance range: 0.047 to 10uf  
 Capacitance tolerance:  $\pm 5\%$ ,  $\pm 10\%$   
 Voltage range: 500 to 3000Vdc



## ▲TEST DATA

Voltage between terminals:  $2U_n 10s$   
 Dissipation factor:  $5.0 \times 10^{-4}$  Measured at 100Hz 25°C  
 Life expectancy 100 000 hours

## ▲OUTLINE DRAWING



## ▲Part Numbering System

<b>150</b>	<b>FC</b>	<b>106</b>	<b>#</b>
<b>Voltage</b>	<b>Type</b>	<b>Capacitance</b>	<b>Toleranc</b>
150=500vdc	FC	104=0.1uf	J= ±5%
175=750vdc		105=1.0uf	K= ±10%
210=1000vdc		106=10uf	M= ±20%

## ▲Electrical specifications, ordering codes

Cap uf	Full Power FREQ	Irms max. A	du/dt v/μs	Ipeak A	ESR mΩ	Part Number
	kHz					
Up-peak 500vdc Urms 250Vac						
10	8	100	220	2200	1.1	150FC106#
7.5	10	100	230	1725	1.2	150FC755#
Up-peak 750vdc Urms 350Vac						
6.8	10	100	280	1904	1.2	175FC685#
5.0	14	100	280	1400	1.2	175FC505#
Up-peak 1000vdc Urms 400Vac						
4.7	10	100	450	2115	1.1	210FC475#
3.3	13	100	460	1518	1.2	210FC335#
1.5	27	90	990	1485	1.2	210FC155#
1.0	40	90	1350	1350	1.3	210FC105#
Up-peak 1500vdc Urms550Vac						
1.0	33	80	570	570	2.6	215FC105#
0.68	32	75	900	612	2.8	215FC684#
0.60	36	75	900	540	2.9	215FC604#
Up-peak 2000vdc Urms750Vac						
1.0	15	70	570	570	2.6	220FC105#
0.68	22	70	640	435.2	2.8	220FC684#
0.47	27	60	1200	564	2.9	220FC474#
0.33	39	60	1310	432.3	3.1	220FC334#
Up-peak 3000vdc Urms1000Vac						
0.24	33	50	1900	456	3.2	230FC244#
0.15	48	45	2850	427.5	3.5	230FC154#
0.12	53	40	3200	384	3.8	230FC124#
0.10	64	40	3200	320	4.1	230FC104#
0.06	80	30	4600	276	7.6	230FC603#

\*Special design available to meet your requirements