

## FP-5F-200

### Highlights

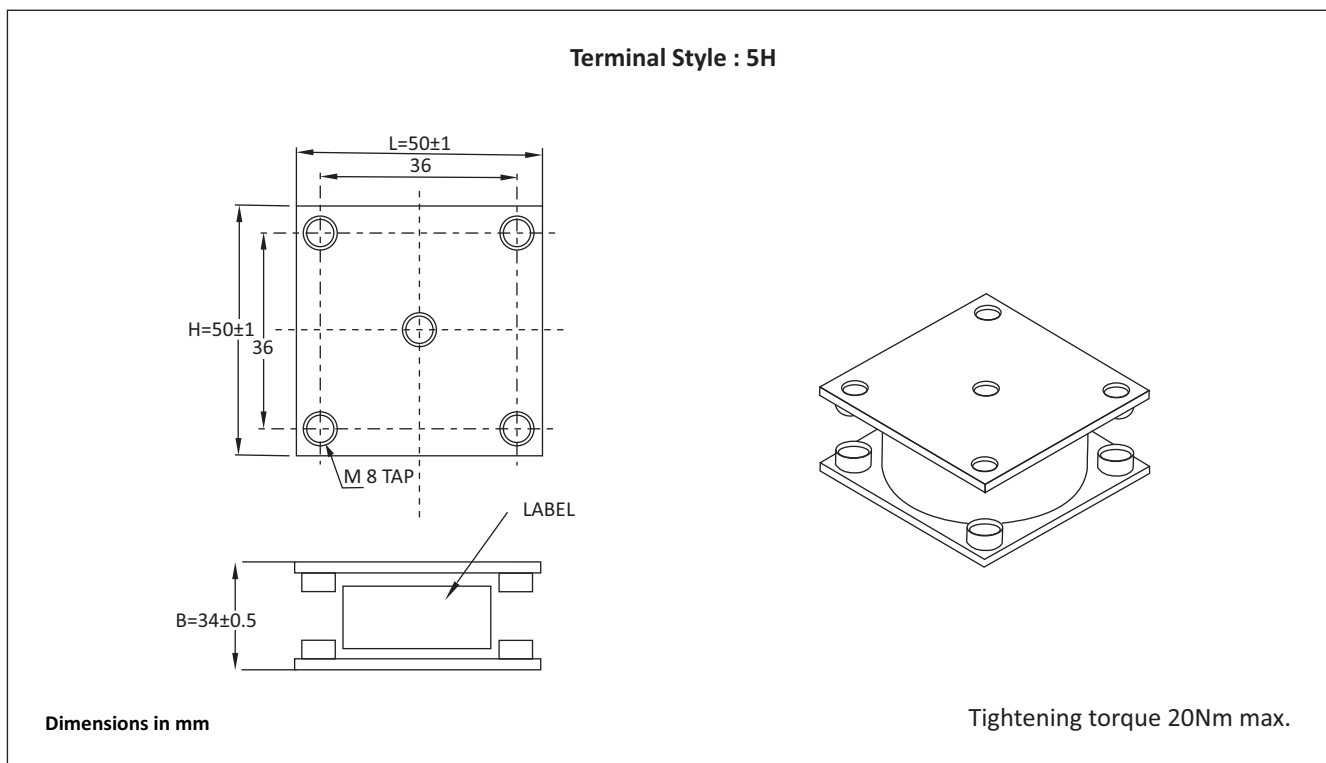
- Conduction cooled
- Polypropylene dielectric
- Self-healing
- Low Stray inductance
- Operating frequency 1000Khz
- Maximum operating core temperature 85°C



### Standard Capacitor Values

Rated Voltage Vrms	Nominal capacitance MFD at 1KHz	Max current Irms	Max power Kvar	Frequency KHz	Dimensions mm			Terminal Style	Ordering Code
					B±0.5	H±1	L±1		
700	0.33	300	200	196 – 216	34	50	50	5H	SP0U330700Q1K05HFP5F
600	0.66	350	200	135 – 149	34	50	50	5H	SP0U660600Q1K05HFP5F
500	1.20	400	200	105 - 105	34	50	50	5H	SP1U200500Q1K05HFP5F
	1.50	400	200	85 - 108	34	50	50	5H	SP1U500500Q1K05HFP5F
400	2.50	450	200	80 - 96	34	50	50	5H	SP2U500400Q1K05HFP5F

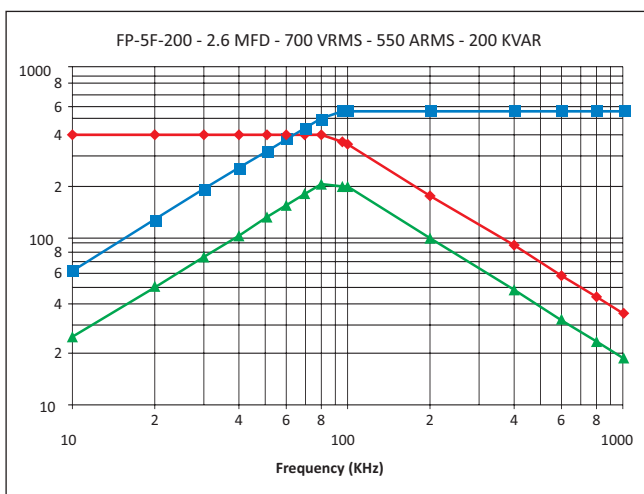
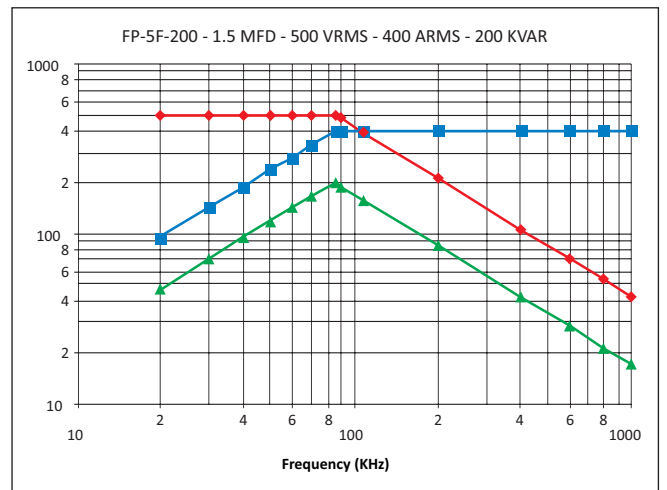
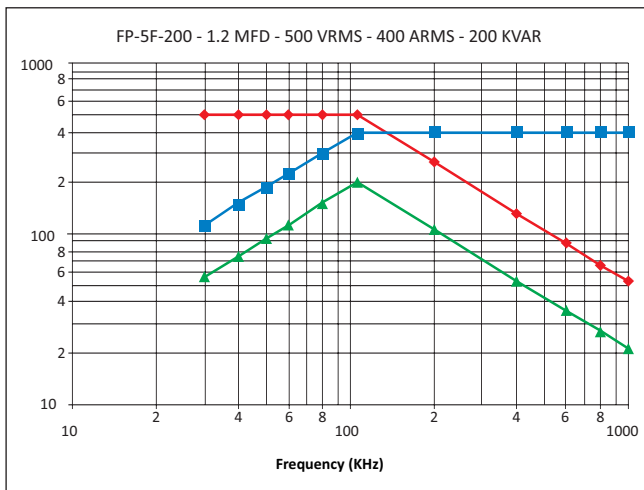
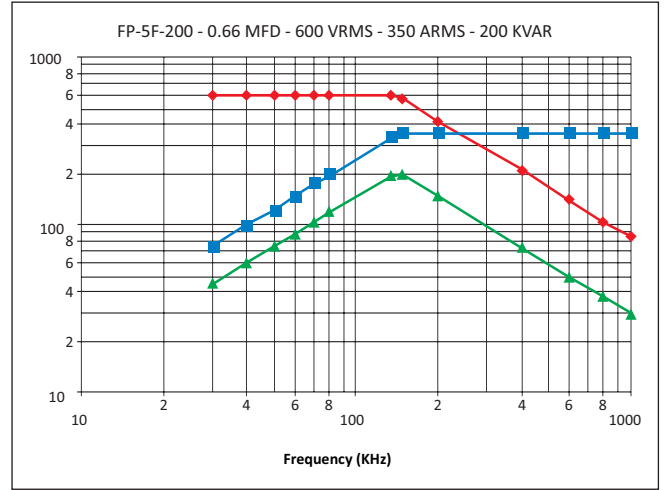
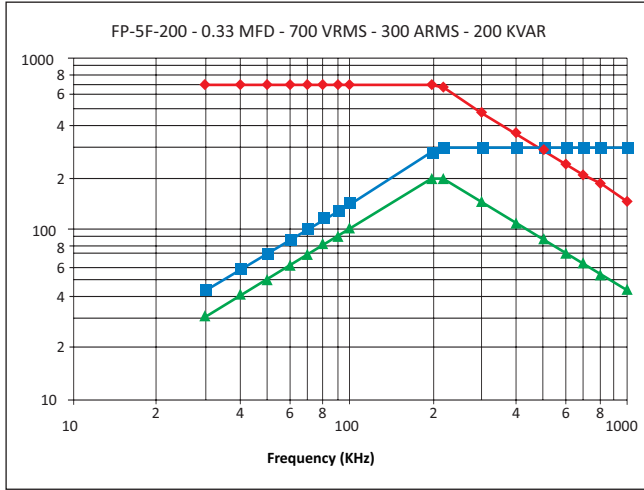
### Capacitor Drawing and Terminal Style



## FP-5F-200

### Frequency Derating

—◆— Voltage    —■— Current    —▲— Power



Catalogue No. AEPL FP-5F- 200-SEPT-2013

The specification shown herein ( page 1 to 2 ) pertain to the current manufacturing range of the Company. The Company reserves the right to change and /or modify any part of or whole of the specifications as a result of research and development and as may be necessary, without prior notice