

**产品特点**

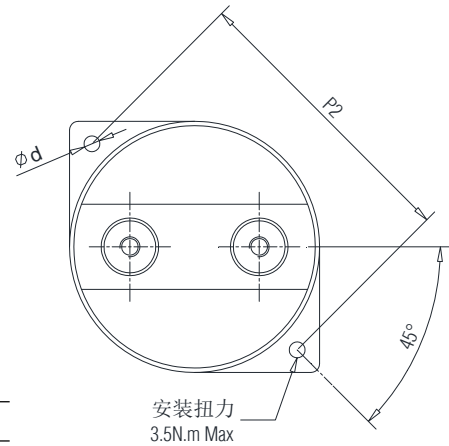
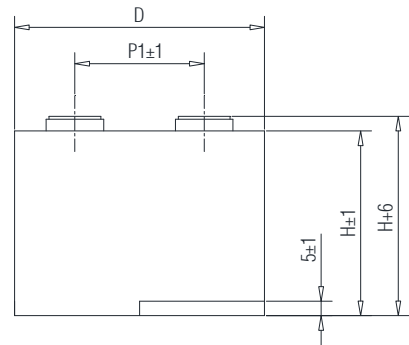
引用标准 : IEC 61071  
 介质 : 金属化聚丙烯薄膜  
 结构 : 干式无感结构, 塑料外壳封装, 树脂填充 (UL94 V-0)

**电气特性**

工作温度 : -40 至 +105 °C  
 容量范围 : 6.8 至 500µF  
 额定电压 : 500 至 2200 VDC  
 容量偏差 : ±5%, ±10%  
 损耗因素 :  $\leq 2 \times 10^{-3}$  @ 100Hz, 20±5°C  
 预期寿命 : 100,000 小时 @ Un, 70 °C (热点温度)  
 极间耐压 : 1.5Un (DC) @ 10s, 20±5°C  
 极壳耐压 : (1.5Un+1000)VAC, 最小 3000VAC (10s,50Hz)  
 绝缘电阻 : (IR×Cn) 30000s (不超过 30GΩ), 100VDC (20±5°C), 1 分钟

**应用**

**DC 滤波 电动汽车  
 开关电源 马达驱动**



**电压等级**

Un @ 70°C	500V	600V	700V	800V	900V	1000V	1100V
Un @ 85°C	450V	500V	600V	700V	760V	850V	900V
Un @105°C	330V	365V	440V	500V	550V	620V	650V
Un @ 70°C	1200V	1500V	1800V	2000V	2200V		
Un @ 85°C	1000V	1250V	1500V	1650V	1800V		
Un @105°C	730V	915V	1100V	1200V	1300V		

外壳	D (mm)	引出端子				P1 (mm)	P2 (mm)	d (mm)
		M	扭矩	F	扭矩			
A	87	M8*20	8.5 N.m Max	M6*8	4.5 N.m Max	45	101	5.5
B	115	M10*20	12 N.m Max	M8*8	8.5 N.m Max	60	133	6.5

**特性参数**

订货代码	容量 (µF)	D (mm)	H (mm)	Ls (nH)	Du/dt (v/µs)	I <sub>rms</sub> @45°C @10KHz (A)	ESR@1.0KHz (mΩ)	R <sub>th</sub> (k/w)
<b>Un @70°C 500VDC, Us 750V, Ur 150V</b>								
SHF-500-125-FA	125	87	41	≤25	37	90	1.1	6.8
SHF-500-200-FA	200	87	51	≤32	25	90	1.5	5.9
SHF-500-275-FA	275	87	65	≤40	16	85	1.5	5.0
SHF-500-350-FB	350	115	51	≤32	25	120	1.3	4.1
SHF-500-500-FB	500	115	65	≤40	16	125	1.3	3.5

## 特性参数

订货代码	容量 ( $\mu$ F)	D (mm)	H (mm)	Ls (nH)	Du/dt (v/ $\mu$ s)	I <sub>rms</sub> @45°C @10KHz (A)	ESR@1.0KHz (m $\Omega$ )	R <sub>th</sub> (k/w)
<b>Un @70°C 700VDC , Us 1050V , Ur 200V</b>								
SHF-700-100-FA	100	87	41	$\leq 25$	48	90	1.1	6.8
SHF-700-150-FA	150	87	51	$\leq 32$	32	90	1.4	5.9
SHF-700-220-FA	220	87	65	$\leq 40$	21	85	1.5	5.0
SHF-700-250-FB	250	115	51	$\leq 32$	32	115	1.3	4.1
SHF-700-350-FB	350	115	65	$\leq 40$	21	120	1.4	3.5
<b>Un @70°C 900VDC , Us 1350V , Ur 250V</b>								
SHF-900-68-FA	68	87	41	$\leq 25$	56	80	1.2	6.8
SHF-900-100-FA	100	87	51	$\leq 32$	37	80	1.5	5.9
SHF-900-140-FA	140	87	65	$\leq 40$	25	75	1.6	5.0
SHF-900-200-FB	200	115	51	$\leq 32$	37	110	1.3	4.1
SHF-900-300-FB	300	115	65	$\leq 40$	25	115	1.4	3.5
<b>Un @70°C 1100VDC , Us 1650V , Ur 300V</b>								
SHF-1100-47-FA	47	87	41	$\leq 25$	73	75	1.2	6.8
SHF-1100-68-FA	68	87	51	$\leq 32$	49	75	1.5	5.9
SHF-1100-100-FA	100	87	65	$\leq 40$	33	70	1.7	5.0
SHF-1100-125-FB	125	115	51	$\leq 32$	49	105	1.4	4.1
SHF-1100-180-FB	180	115	65	$\leq 40$	33	110	1.5	3.5
<b>Un @70°C 1200VDC , Us 1920V , Ur 300V</b>								
SHF-1200-25-FA	25	87	41	$\leq 25$	90	60	1.3	6.8
SHF-1200-35-FA	35	87	51	$\leq 32$	70	60	1.7	5.9
SHF-1200-50-FA	50	87	65	$\leq 40$	50	55	1.9	5.0
SHF-1200-60-FB	60	115	51	$\leq 32$	70	100	1.4	4.1
SHF-1200-80-FB	80	115	65	$\leq 40$	50	110	1.6	3.5
<b>Un @70°C 1500VDC , Us 2400V , Ur 400V</b>								
SHF-1500-18-FA	18	87	41	$\leq 25$	113	55	1.4	6.8
SHF-1500-25-FA	25	87	51	$\leq 32$	85	55	1.8	5.9
SHF-1500-35-FA	35	87	65	$\leq 40$	60	50	2.1	5.0
SHF-1500-47-FB	47	115	51	$\leq 32$	85	100	1.5	4.1
SHF-1500-68-FB	68	115	65	$\leq 40$	60	105	1.6	3.5
<b>Un @70°C 1800VDC , Us 2880V , Ur 450V</b>								
SHF-1800-10-FA	10	87	41	$\leq 25$	175	50	1.5	6.8
SHF-1800-15-FA	15	87	51	$\leq 32$	120	50	1.9	5.9
SHF-1800-22-FA	22	87	65	$\leq 40$	80	45	2.2	5.0
SHF-1800-25-FB	25	115	51	$\leq 32$	120	90	1.6	4.1
SHF-1800-35-FB	35	115	65	$\leq 40$	80	100	1.8	3.5
<b>Un @70°C 2200VDC , Us 3520V , Ur550V</b>								
SHF-2200-6.8-FA	6.8	87	41	$\leq 25$	200	50	1.6	6.8
SHF-2200-10-FA	10	87	51	$\leq 32$	150	50	2.1	5.9
SHF-2200-15-FA	15	87	65	$\leq 40$	100	45	2.5	5.0
SHF-2200-18-FB	18	115	51	$\leq 32$	150	90	1.7	4.1
SHF-2200-25-FB	25	115	65	$\leq 40$	100	100	2.0	3.5