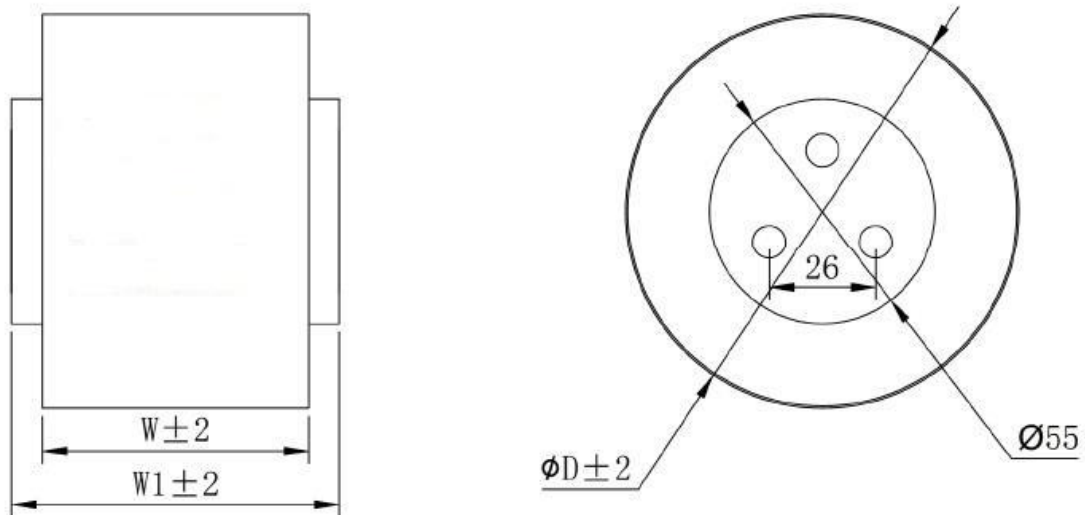


GENERAL TECHNICAL CHARACTERISTICS	
Reference standards :	IEC 61071-60068
Climatic category:	40/85/56
Dielectric :	Metalized Polypropylene film
Electrode :	Tinned copper wire
Epoxy :	Flame-retardant Epoxy-White
Case :	Aluminum case
ELECTRICAL CHARACTERISTICS	
Working temperature :	-40 to + 85°C(max hotspot≤85°C)
Storage temperature :	-40 to + 85°C
Capacitance :	0.1--3.0μF
Rated Voltage	500--2000 V ac
Tolerance :	± 5%(J) ± 10%(K)
TEST METHODS AND PERFORMANCES	
Insulation resistance :	C×Ris 5000S
Test voltage between terminals:	V <sub>tt</sub> 4000V.DC/10S
Test voltage between terminals and case :	V <sub>t-c</sub> 5000V.AC/10S

### ▲Outline drawing



W1	W	ΦD	
61	45	96	M8*10

### ▲Part Numbering System

210	KBP	105	#	4596
Voltage	Type	Capacitance	Tolerance	Size
120=200vac	KBP	104=0.1uf	K= $\pm 10\%$	W45*D96
220=2000vac		105=1.0uf	J= $\pm 5\%$	W55*D96
320=20000vac		106=10uf		W45*D70

### ▲CFA series electrical specifications

Part Number	Cap ( $\mu$ F)	W (mm)	D (mm)	I <sub>peak</sub> (KA)	I <sub>rms</sub> @45°C @10kHz (A)	ESR@ 1.0kHz (m $\Omega$ )	L <sub>s</sub> (nH)	Tan $\delta$ (100hz)	Weighr (kg)
Un1000V.AC									
210KBP145K4596	1.4	45	96	27	150	1.9	25	0.002	0.9

\*Special design available to meet your requirements